



FIRST
METER

DATASHEET EXTALLATION

Deskill the customer FTTH connection!



FTTH NETWORKS

Further information on DKTCOMEGA.COM/FIRST-METER

Sign up for our email newsletter and always be informed first!

[SIGN UP](#)

Version 1.0.3

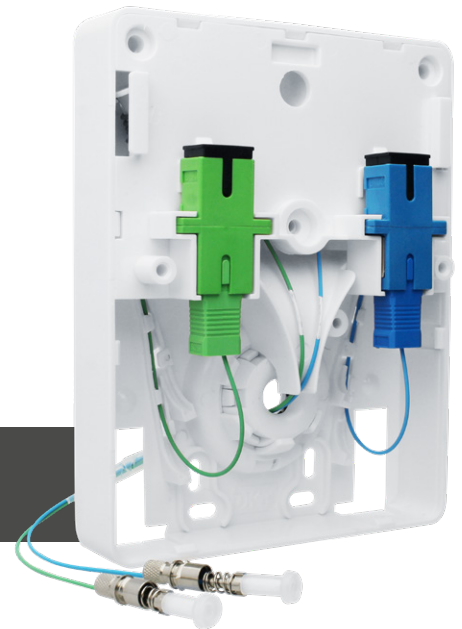
DATASHEET

INTRODUCTION

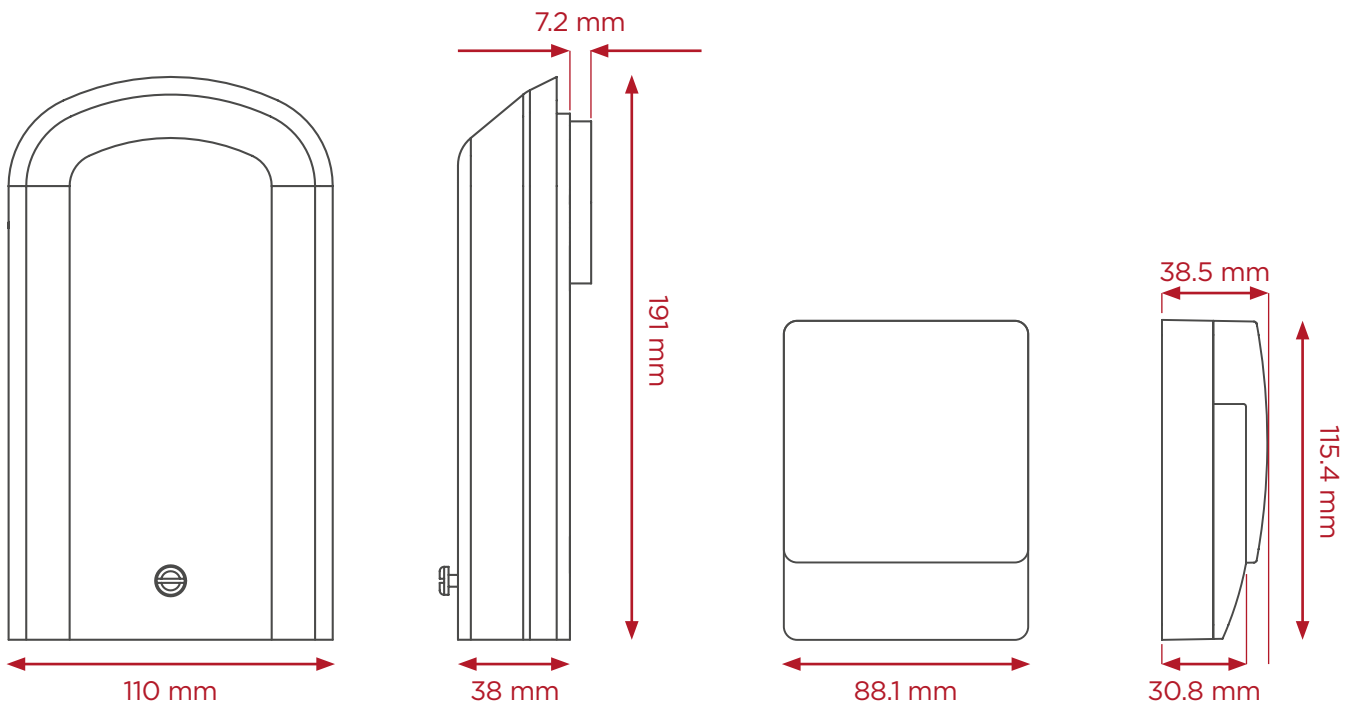
The DKT FTU is delivered pre-assembled with fibers and a connecting tube. After the installer feeds the fibers through the tube, it is closed with a spearhead and pushed from the customer's premises through a pre-drilled hole to the outside. Outdoors the installer connects the tube and fibers to the wall box.

Deskilling the installation saves time for both user and installer, reduces the time spent inside the customer's premises, and allows the installation to be carried out with semiskilled workers!

With our Extallation concept you ensure the satisfaction of your customers.



Dimensions:



DKT OUTDOOR WALLBOX
Outdoor Unit

PRE-ASSEMBLED DKT FTU
Fiber termination unit

PRODUCT OVERVIEW

“FTU & Spearhead”

Parameter	EXTA-2F-APC/UPC-IN75	EXTA-2F-APC-IN75
Fiber		
Fiber Type	Corning ClearCurve ABL Optical Fiber G6573B	
Minimum bend radius	Mandrel radius - 5 mm.	
Fiber Diameter	Coating diameter - 242 um and with tube - 900 um	
Connectors/Ferrules	1 x SC/APC & 1 x SC/UPC	2 x SC/APC
Fiber Color	1 x Green & 1 x Blue	2 x Green
Meaning	The fibres match the SC connector colour code, and the green dust cap indicates CATV	White dust cap for Data and green dust cap for CATV
User disposable fiber length [cm]	139	
Excess fiber length stored in FTU for extraction [cm]	50	
FTU		
Dimensions [mm] (H x W x D)	115.4 x 88.1 x 38.5	
Depth exclusive cover [mm]	30.8	
Tube interface Vertical offset at Ø10 mm	20° Left to 20° Right	
Tube interface Horizontal offset at Ø10 mm	25° Down to 10° Up	
Material	PC+ABS, Chimei - PC540	
Operational temperature [°C]	-40 - +80	
Storage temperature [°C]	-40 - +80	
Color	White	
Net weight [g]	132	
Spearhead		
Outside diameter [mm]	10	
Total length [mm] (Ø10 mm section)	115	
Storage compartment length [mm]	90.6	
Item No.	79810	79811

“Tube”

Parameter	EXTA-TUBE-750/Ø10mm
Length [mm]	750
Diameter [mm] (Outside, Inside)	10, 8
Material	ABS, Formosa - ANC180.
Item No.	79820

“Outdoor Unit”

Parameter	EXTA-2F-APC/UPC-OUT	EXTA-2F-APC-OUT
Adapter	SC/UPC + SC/APC	2x SC/APC
Dimensions [mm] (H x W x D)	191 x 110 x 38	
Tube interface Vertical offset at Ø10 mm	20° Left to 20° Right	
Tube interface Horizontal offset Ø10 mm	1° Down to 39° Up	
IP Rating	IP54 when sealing is applied	
IK Rating	IK08	
Material	Cover material	ABS+UL94-V0+UV
	Sphere retainer material	
	Wall base material	
	Fiber tray material	
	Sphere material	Silica gel
	Plug material	
	Grommit material	
	Foam material	Sponge
Color	Grey / RAL 7035	
Operational temperature [°C]	-45 to 80	
Storage temperature [°C]	-45 to 80	
System environment, Max operating humidity	85 % RH (non-condensing)	
System environment, Storage temperature [°C]	-40 to 70	
System environment, Max storage humidity	95 % RH (non-condensing)	
Dimensions sealant containment ring [mm]	7.2	
Feed and outlet options [mm]	In 2 x Ø 5, 6, 8, 10, 14 & OUT 1 x Ø up to 10	
Cable feed	Bottom and Rear	
Aperture	Removable Cover	
Tamper Lock	Wire feedthrough in bottom , both sides	
Item No.	79830	79840

“Connector tool”

Parameter	EXTA-BUTTERFLY-TOOL
Packaging information [PCS]	50
Dimensions [mm]	42 x 26
Material	PC + ABS
Item No.	79821