

KDG multimedia push-on filter

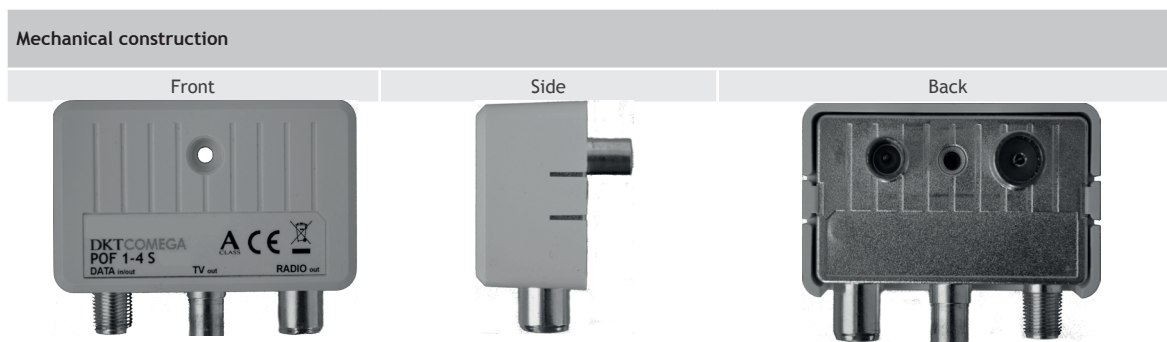
Ordering information

Type no.	Item no.	Qty. (box)
POF 1-4 S	42133	10 pcs.

Product information

The POF 1-4 S passive multimedia filter meets the need for passive filtering of TV, FM and DATA signals in CATV home networks.

The POF1-4 S are designed for use in Antenna outlets following the DIN 45330



Housing material	RoHS compliant bright tin plated die cast Zinc alloy		
Screw hole	Ø4mm according to DIN 45330		
Cover material	White ABS with type sticker		
Fixation screw	M3 Philips		
Dimensions (H x W x D)	55 x 70 x 25 mm		
Connectors			
Data in/out	F-Female	DIN EN 61169-24	
TV out	IEC-Male	DIN EN 61169-2	
Radio out	IEC-Female	DIN EN 61169-2	
TV in	IEC-Female	DIN EN 61169-2 mating to DIN 45330	
Radio in	IEC-Male	DIN EN 61169-2 mating to DIN 45330	
Electrical data			
Impedance	75 Ω		
Operating temperature	0°C - 55°C		
Screening efficiency EN 50083-2 Class A	5-30MHz	>85 dB	
	30-300MHz	>85 dB	
	300-470	>80 dB	
	470-1006MHz	>75 dB	
Frequency range	TV in -> DATA in/out Reverse	5-65MHz	
	TV in -> DATA in/out Forward	87.5-1000 MHz	
	TV in -> TV out	87.5-1000 MHz	
	Radio in -> Radio out	87.5-1000 MHz	
Insertion loss	TV in -> TV out	5-65MHz	>35 dB
		87,5-1000MHz	<4.0±0.8 dB
	TV in -> Data in/out	5-65MHz	<1.2 dB
		87,5-1000MHz	<4.8 dB
	Radio in -> Radio out	5-65MHz	>25 dB
		87.5-1000MHz	0.8±0.85 dB
Isolation	Data in/out <-> TV out	5-65MHz	>40 dB
		87.5-1000MHz	>20dB
	Data in/out <-> Radio out	5-65MHz	>60dB
		87.5-1000MHz	>40dB
	TV out <-> Radio out	5-1000MHz	>40dB
Return Loss	Radio in and Radio out	87.5-108MHz	>14dB
	TV in and Data in/out	5-65MHz	>18 dB
		87.5-160MHz	>16.5 dB
	TV in, TV out and Data in/out	160-320MHz	>15 dB
		320-640MHz	>13.5 dB
		640-862MHz	>12 dB

DKT COMEGA