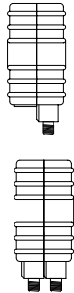



# COMEGA Amplifiers

**Distribution Amplifiers**



MC12  
MC24  
MC29

MC12-2  
MC24-2

**Distribution Amplifiers w/ adj. attenuator**

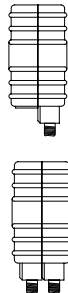

MC20A

**Distribution Amplifiers w/ adj. tilt and attenuator**

MC20 TA  
MC6-20 TA



MC20 TA-2  
MC20 TAR (Data port)

**Mast Amplifiers**

MC12M  
MC24M  
MC29M

MC12M +combiner  
MC24M +combiner  
MC29M +combiner

.. please turn this page for technical data

# COMEGA Amplifiers, Technical data

	Frequency area <i>Gain</i>	1) 60 dB x mod. 3 <sup>rd</sup> order	2) 60 dB x mod. 2 <sup>nd</sup> order	3) 60 dB CTB	4) 60 dB CSO	5) CTB 36 ch. BK raster	6) 60 dB CTB 42 ch.	6) 60 dB 60 ch.	Noise figure	+12V
	MHz/dB	dB $\mu$ V	dB $\mu$ V	dB $\mu$ V	dB $\mu$ V	dB $\mu$ V	dB $\mu$ V	dB $\mu$ V	dB	mA
MC 12 (MC 12M)	40-450 450-606 606-870 <b>12 dB</b>	115 114 113	109 107 106	102 99 95	99 97 95	96	98 97	95 94	2.5 3.0 3.0	(50)
MC 24 (MC 24M)	40-450 450-606 606-870 <b>24 dB</b>	115 114 113	109 107 106	102 99 95	99 97 95	96	98 97	95 94	2.0 2.5 2.5	(100)
MC 20A	40-450 450-606 606-870 <b>20 dB</b>	118 117 116	112 109 108	105 102 98	102 100 98	99	101 100	98 97	4.0 4.5 5.0	
MC 20 TA	40-870 <b>20 dB</b>	116	108	98	98	-	100	97	5.0	
MC6-20TA	40-450 450-606 <b>20 dB</b>	118 117	112 110	105 102	102 100	99	102 101	99 98	4.0 4.5	
MC 29M	40-450 450-606 606-870 <b>29 dB</b>	118 117 116	112 109 108	105 102 98	102 100 98	99	101 100	98 97	2.0 2.5 2.5	160