

DIGITRACK TV-modulator TVM3/TVMU

Suitable for applications in which a videostream is to be transmitted on a coaxial network

Applications:

- MATV
- Video surveillance
- Hotel TV systems

Source:

- Satellite receivers
- Video camera
- Video recorder
- DVD player



TV-Modulator TVM3

Type: MAS101RV3
Order No.: 71509

TV-Modulator TVMU

Type: MAS101RU
Order No.: 71511

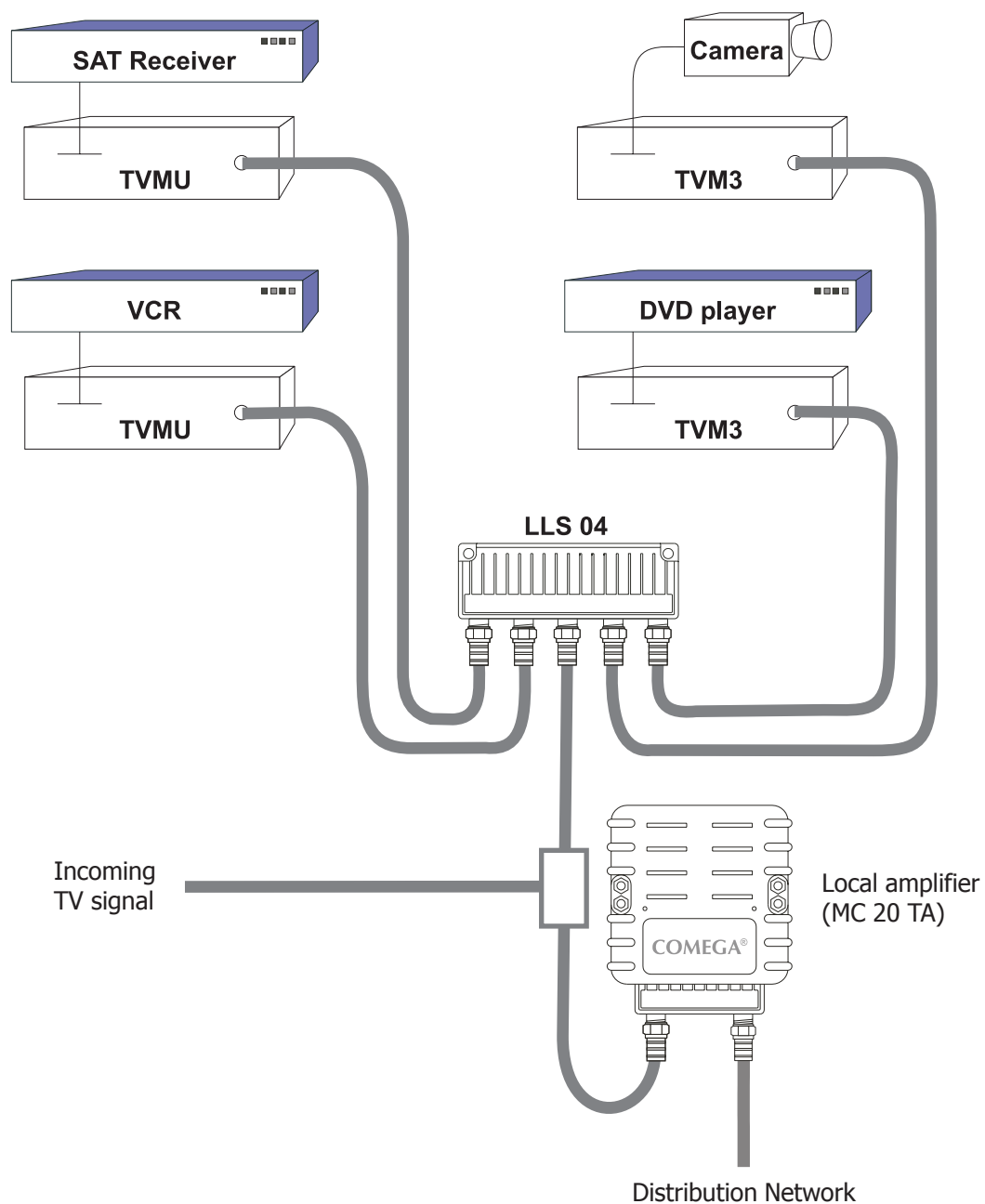
TVM3/TVMU

DATA: PAL B/G

Impedance	75 Ohm
Output level	80 - 100 dB μ V adjustable
Input connector	RCA type
Output connector	F type
Power supply	230V AC \pm 10%
Frequency range	TVM3: from channel 5 to S 20 TVMU: from channel 21 to S 69

- Built-in test pattern generator
- PLL frequency stabilized
- Adjacent channel ability
i.e. K 5 - 9 - 11 el. K 21 - 23 - 25 etc.

Application example:



Should 8 videostreams be required, the LLS04 should be changed to LLS08