

**AMP**

**Distribution amplifier DKT 36126L/M**



**Amplifier**

Type: **DKT 36126L**  
Order No.: 61850

Type: **DKT 36126M**  
Order No.: 61851

**GaAs SERIES AMPLIFIER**

- High quality and reliability
- Efficient bi-directional transmission
- GaAs FET PP output stage
- Compact housing
- Plug-in diplex filters

Designed for use as a last active element in modern two-way CATV network.  
In compliance with EN50083-1..3, IEC 1000-4-5, IEC 529.

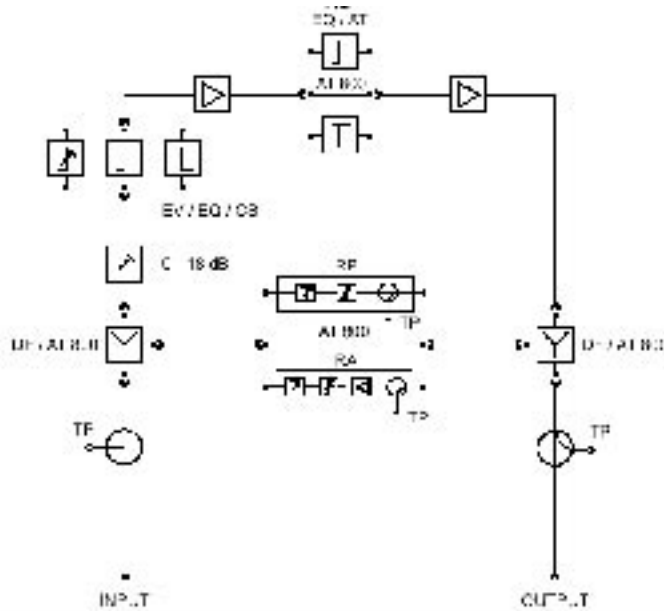
<b>General Specifications</b>			
Forward Pass-Band <sup>1)</sup>	47..85 - 862 MHz		
Max gain	≥736 dB		
Flatness	±0.75 dB		
Output level forward path [dBμV]	CTB <sup>2)</sup>	CSO <sup>2)</sup>	DIN (45004 B)
12 dB interstage sloped	112	118	126
0 dB interstage sloped	108	114	126
Noise figure	≤7 dB		
Remote powering (version W) from INPUT RF port	24-65 VAC		
Power consumption (passive/ active reverse path)	9/13 W		
Local powering (version M) Power consumption (passive/ active reverse path)	230 VAC 12/16 W		

1) plug-in diplex filters

2) for CTB < -+60 dB and CSO < +60 dB, measured with 42 channels CENELEC, typical value in T=+25 C

# AMP

## Distribution amplifier DKT 36126L/M



### Technical Specifications

Adjustment	
Gain	0-18 dB
Slope	Fixed equalizer EQ (1-24 dB, step 1 dB) Variable equalizer EV (0-18dB) or fixed cable simulator CS (3.6 dB)
Interstage	Fixed attenuator AT (0-12 dB, step 1 dB) Fixed equalizer EQ (3-12 dB, step 1 dB) Fixed attenuator and equalizer AQ (10 dB / 6 or 9 dB)
Input / Output	
Number of RF ports	2 (1 input, 1 output)
Conn. input / output	Version W (remotepowering) PG 11/F Version M (local powering) F/F
Return loss	$\geq 14$ dB (freq. $\leq 40$ MHz) $\geq 14$ dB $\div 1.5$ /oct. (freq. $> 40$ MHz) but $< 10$ dB
Test-point input, bi-directional	$\pm 20$ dB ( $< \pm 1.5$ dB) F-conn.
Test-point output, directional	$\pm 20$ dB ( $< \pm 1.0$ dB) F-conn.
Hum modulation	$< \pm 70$ dB
Subject to change without notice.	

Reverse	
Pass band	5 - 30..65 MHz
Plug-in reverse modules:	
<ul style="list-style-type: none"> <li>RA - reverse path amplifier, gain 20 dB or 25 dB, max. output level 120 dB<math>\mu</math>V</li> <li>RP - passive reverse path module</li> </ul>	
Housing	
Degree of protection	IP 54
Dimensions:	
Width	Main body width: 173 mm With screwholders: 209 mm
Length	131 mm
Height	83 mm
Temperature range	$\pm 20 - 55^{\circ}\text{C}$
Weight	1.8 kilograms